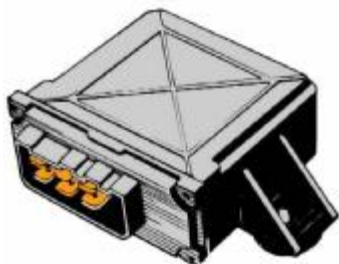


## DUAL SIGNAL AMPLIFIER

P/no. 411.107 - Installation Instructions for 12/24 VDC module



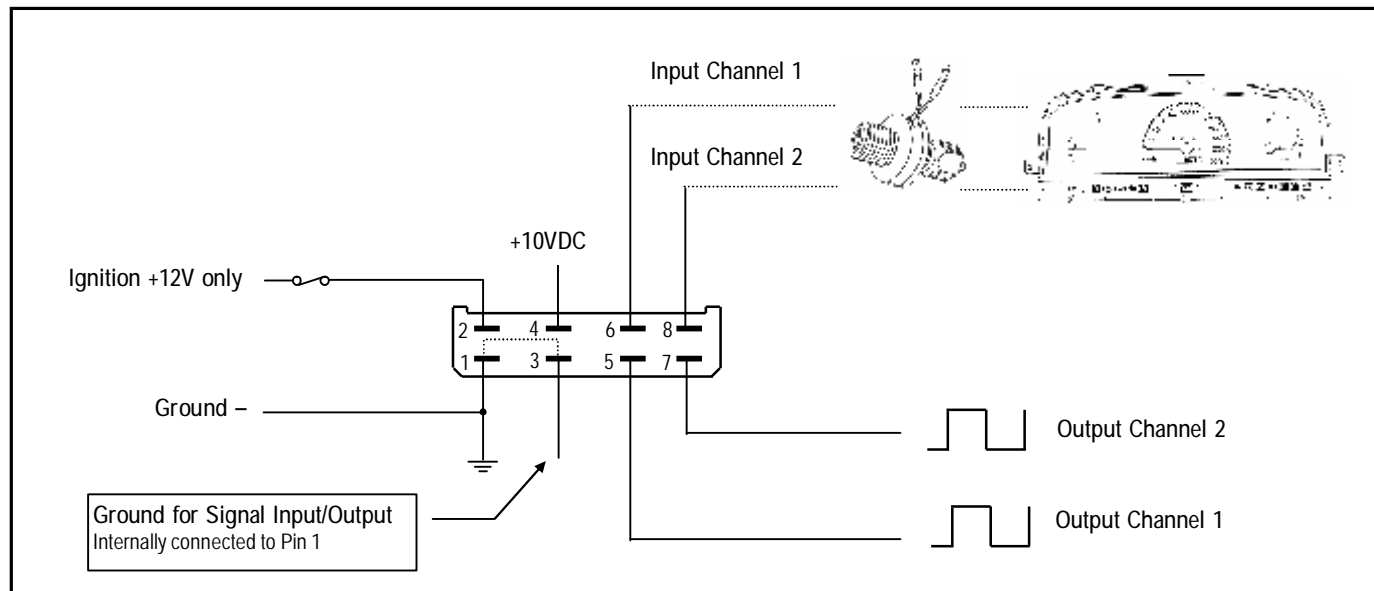
**NOTE:**

The signal source can be either *sine wave* from a signal Generator driven by a mechanical speedo cable or *square wave* of a Hall Effect/Proximity Sender in case of an electronic speedo.

### PIN CONNECTIONS

1. Battery Negative
2. 12V Ignition Positive
3. Negative (Internally connected to pin 1)
4. +10VDC 50mA supply
5. Output Signal Channel 1
6. Input Signal Channel 1
7. Output Signal Channel 2
8. Input Signal Channel 2

### WIRING DIAGRAM



### SPECIFICATIONS

- Dimensions: 68 x 30 x 73mm deep, overall box dimensions.  
 Mounting: Hole centres...83mm, mounted height...35mm, box with plug & wiring allow min 110mm.  
 Voltage: 12/24 VDC negative ground.  
 Range: 5 Hz – 10 kHz. Sine or Square Wave Input = 5 Hz – 10 kHz Square Wave Output Frequency.  
 Input Level: Min signal required = 3.6 V p-p.  
 Output Level: V+ less 0.6V square wave.